

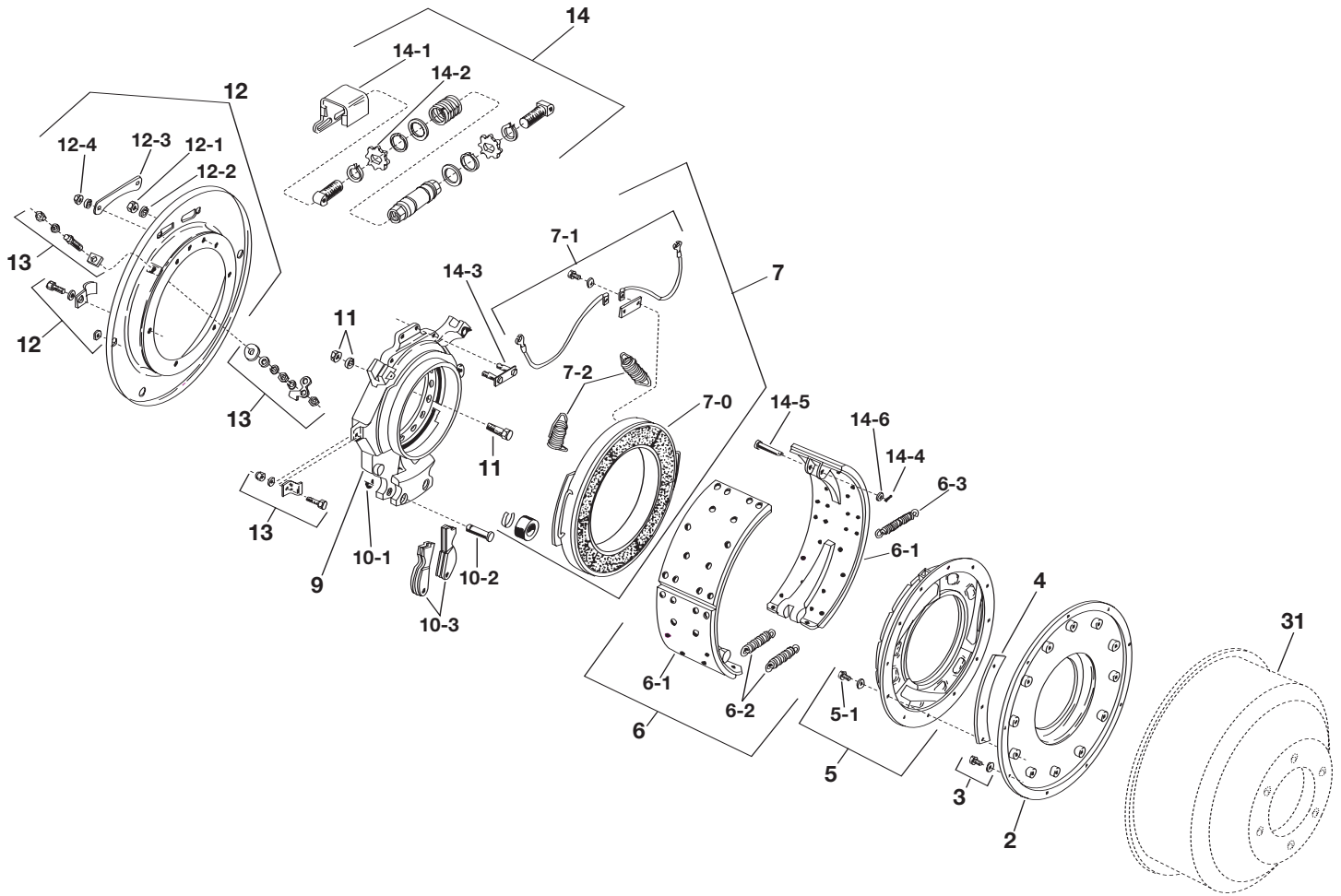
# 16-1/2" x 5" Shoe Brake #1305-2 Brake, Complete Pair

P-1384  
819-0116

Installation Instructions



## Service Parts and Kits



### Kit No. 1305-2 Complete Axle Kit

**Kit consists of:**

- 1 - R.H. Brake Assembly
- 1 - L.H. Brake Assembly
- 1 - Armature R.H.
- 1 - Armature L.H.
- 2 - Armature Adapter Assemblies with Grease Guard
- 1 - Brake Mounting Accessory
- 1 - Adapter Mounting Accessory
- 1 - Armature Mounting Accessory

**▲ WARNING** Failure to follow these instructions may result in product damage, equipment damage, and serious or fatal injury to personnel.

### General Note

It is suggested that, because of the size and weight of the components of this brake, the complete assembly be removed from the vehicle to facilitate handling while replacing parts.

## Section A – Replacement of Shoe and Lining Assembly/Kit #1305-100-024 - Item 6

**Note:** Two different types of friction material (brake lining) are used in each half of the shoe and lining assembly of this size brake. It is important to install the assembly with the arrow on the trailing shoe and lining pointing in the direction of forward drum rotation.

1. Remove drum (31).
2. Remove magnet (7-0).
3. Remove shoe return springs (6-2).
4. Loosen and remove centralizer plate nuts (12-1).
5. Lift off old shoe and lining assembly (6-1).
6. Remove bracket (14-1) from adjuster assembly (14) and remove adjuster spring (6-3), adjusting nut and screw assembly (14) from shoe assembly.
7. Clean all brake parts.
8. Reinstall adjuster spring (6-3), adjuster assembly (14), and attaching parts to new shoes and linings (6-1) with new cotter pins and washers.
9. Place adjuster bracket (14-1) over adjuster (14).
10. Install complete assembly back on brake by installing centralizer plate (14-3). Do not tighten centralizer nuts completely yet...allow centralizer to float.
11. Reinstall magnet (7-0).
12. Reinstall shoe return springs (6-2).
13. Reinstall brake and drum on axle per running gear manufacturer's specifications.
14. Remove adjusting cover (12-3) and turn either adjusting nut (14-2) until brake shoes (6-1) are expanded tight against drum (31).
15. Tighten centralizer plate nuts (12-1) against lock-washers (12-2). Torque to 18 to 20 ft. lbs.
16. Back off adjuster (14-2) until drum turns freely (approximately 5 or 6 notches).
17. Replace adjusting opening cover (12-3). Torque nuts 68 to 76 in. lbs.

## Section B – Replacement of Magnet/ Magnet Kit #1305-100-010 (12V) - Item 7

1. Remove drum (31).
2. Remove centralizer plate bolt assembly (14-3).
3. Remove shoe return springs (6-2). See Section C.
4. Loosen magnet return springs (7-2) From Magnet Only.
5. Remove magnet lead wires (7-1) from terminal blocks (13).
6. Loosen and remove magnet hold down brackets (8) and lift magnet (7-0) off the assembly.
7. Remove magnet lead wires (7-1) from magnet by opening lead wire hold down clips carefully to free wires.
8. Clean inside of magnet mounting surfaces.
9. Install new magnet (7-0) on pilot ring and replace hold down brackets (8). Torque nuts to 10 to 12 ft. lbs.
10. Reconnect magnet leads (7-1) to magnet and terminal blocks (13). Torque nuts (8) to 59 to 65 in. lbs. Torque screws (13) to 15 to 17 in. lbs.
11. Connect magnet return springs (7-2) to new magnet.
12. Reconnect shoe return springs (6-2) per instructions in Section C.
13. Reinstall centralizer plate (14-3) and adjust per instructions in Section A.
14. Replace drum (31) and reassemble running gear per manufacturer's specifications.

## Replacement of Magnet Lead Wires only: Kit #1305-100-012 - Item 7-1

1. Remove magnet (7-0) from brake.
2. Spread lead wire hold down clips on magnets carefully to free wires.
3. Loosen terminal screws (13) and remove lead wires (7-1) from terminal.
4. Install new lead wires (7-1) on terminal. Torque screws (13) to 15 to 17 in. lbs.
5. Close magnet lead wire hold down clips securely over the new leads (7-1).
6. Replace magnet (7-0) on brake.

## Section C – Replacement of Springs

Shoe Return Spring Kit #1305-100-018 - Item 6-2

- 1 – Adjuster Spring
- 2 – Shoe Return Springs

Magnet Return Spring Kit #1302-100-009 - Item 7-2

- 1 – Magnet Return Spring R.H.
- 1 – Magnet Return Spring L.H.

### Replacement of Shoe Return Springs

1. Remove drum (31).
2. Grasp one end of return spring (6-2) loop using commercial spring pliers. Anchor other jaw of the pliers in nearest brake lining rivet hole. By squeezing pliers closed, the loop end can be released from the brake shoe hole.
3. After one end of spring has been released the other loop can be easily removed.

### To Install New Shoe Return Springs

1. Insert one loop of return spring (6-2) in a shoe hole with hook pointing toward center of brake.
2. Grasp other loop with spring pliers. Place other jaw of spring pliers in nearest brake lining rivet hole.
3. Squeeze pliers to close, extending spring loop to the other shoe end hole for anchoring.
4. Replace drum and readjust brake per steps 13, 14, 15, 16 and 17 of Section A.

### Replacement of Magnet Return Springs - Item 7-2

**Note:** These springs must be installed on the proper side of the magnet; i.e., either right or left when facing the magnet. Before removing old springs, look closely at the location of the larger hook end of the spring. Install new springs in the same manner.

1. Remove drum (31).
  - 1a. Locate magnet (7-0).
2. Using pliers, remove return spring (7-2) from magnet clips.
3. Disengage other hook from brackets on spider (9).
4. Install new spring in proper location; i.e., right or left side of magnet.
5. Replace drum (31) and reassemble running gear per manufacturer's specifications.

## Replacement of Adjuster Spring - Item 6-2

1. Remove cotter pins (14-4) and washers (14-6).
2. Grasp one end of spring (6-3) with pliers and remove from shoe pin (14-5).
3. Remove spring from other shoe pin.
4. Place hook of new adjuster spring (6-3) on one pin (14-5), extend spring, and connect to other shoe pin.
5. Replace washer (14-6) and cotter pins (14-4).

## Section D – Replacement of: Terminal Block and Studs, Dust Covers, Cams - Items 12 and 13

### Replacement of Terminal Block and Studs/ Kit #1305-100-013 - Item 13

1. Remove drum (31).
2. Remove shoe return springs (6-2) and expand shoes (6-1) by hand.
3. Loosen and remove all nuts (13) from terminals (13). Push terminals out of brake
4. Install new terminal blocks (13) and studs (13) and replace the nuts (13) in order shown in exploded view. Torque nuts to 59 to 65 in. lbs.
5. Reinstall shoe return springs (6-2) and drum (31) per procedure in Section C.

### Replacement of Dust Cover/ Kit #1305-100-022 - Item 12

1. Remove brake assembly from axle flange.
2. Remove shoe return springs (6-2) and open shoes (6-1) by hand.
3. Remove terminal blocks and studs per above procedure.
4. Invert brake and remove (6)-5/16" cap screws (12-4), holding dust cover.
5. Install new dust cover and replace cap screws (12-4). Torque to 125 to 139 in. lbs.
6. Reinstall terminal blocks and studs per above procedure.
7. Reposition shoes (6-1) and reinstall shoe return springs (6-2) per procedure in Section C.

## Replacement of Cams/Kit #1305-100-020 - Item 10

1. Remove drum (31).
2. Remove shoe return springs (6-2) and spread shoes (6-1) by hand.
3. Remove retaining rings (10-1) from cam pins (10-2) on spider (9).
4. Push out pins (10-2) and remove cams (10-3).
5. Install new pins (10-2) and cams (10-3) in order shown on exploded view. Lock assembly with retaining rings (10-1).
6. Reposition shoes (6-1) and shoe return springs (6-2).
7. Replace drum (31) and reinstall running gear per manufacturer's specifications.

## Section E – Replacement of Armature/ Armature Kits #1305-100-015 R.H.; #1305-100-016 L.H. - Item 5

**Note:** Warner Electric armatures for this size brake are designed for use on either the right-hand side or left-hand side of the trailer when looking toward the towing vehicle. The armatures are **not Interchangeable** and must be installed on the correct side of the trailer. The armatures have a designating "R" or "L" on the mounting ring.

1. Remove hub, wheel, and drum (31) from trailer.
2. Remove twelve armature mounting screws (5-1) from grease guard/ adapter (2).
3. Lift out old armature (5) and any shims (4) that may be installed. Clean armature mounting surface on grease guard (2).
4. Remove and clean grease guard/adapter (2) by loosening nine screws (3) holding guard on drum.
5. Reinstall grease guard/adapter (2) in drum. Torque screws to 69-75 in. lbs. Install new armature (5) on grease guard using twelve armature mounting screws. Torque screws to 69 to 75 in. lbs.
6. Check armature depression by following these steps:
  - A. Place a 1/4" ball of modeling clay between each armature tab, and the mounting plate.

- B. Being careful not to compress the clay, bolt the armature into the drum.
- C. Install the drum on the axle, so there is no free play.
- D. Remove the drum from the axle.
- E. Remove the armature from the drum.
- F. Measure the thickness of the clay. It should be about 1/8". If it is greater than 1/8", add shims between the armature and the drum, and repeat steps A through E.

...this should be between 1/8" and 3/16".

Correct, if necessary, using shims (4) or hardened spacer rings between armature and grease guard.

7. Inspect magnet (7-0) to determine if it should be refaced or replaced.
8. Reassemble running gear per manufacturer's specifications.

**Important Notice to Purchaser:** Since neither the manufacturer nor the seller of this product can control the manner in which it is installed or used, or the suitability of components used in conjunction with it, the installer and ultimate user assume all risks and liabilities appurtenant to installation and conjunctive use. Therefore, appropriate steps should be taken in advance by every purchaser and user to insure that the product is assembled properly with suitable component elements, and is used in compliance with generally accepted industry practice, in accordance with the instruction manual and as supplemented by other information contained herein.

## Warranty

Warner Electric LLC warrants that it will repair or replace (whichever it deems advisable) any product manufactured and sold by it which proves to be defective in material or workmanship within a period of one (1) year from the date of original purchase for consumer, commercial or industrial use.

This warranty extends only to the original purchaser and is not transferable or assignable without Warner Electric LLC's prior consent.

Warranty service can be obtained in the U.S.A. by returning any defective product, transportation charges prepaid, to the appropriate Warner Electric LLC factory. Additional warranty information may be obtained by writing the Customer Satisfaction Department, Warner Electric LLC, 449 Gardner Street, South Beloit, Illinois 61080, or by calling 815-389-3771.

A purchase receipt or other proof of original purchase will be required before warranty service is rendered. If found defective under the terms of this warranty, repair or replacement will be made, without charge, together with a refund for transportation costs. If found not to be defective, you will be notified and, with your consent, the item will be repaired or replaced and returned to you at your expense.

This warranty covers normal use and does not cover damage or defect which results from alteration, accident, neglect, or improper installation, operation, or maintenance.

Some states do not allow limitation on how long an implied warranty lasts, so the above limitation may not apply to you.

Warner Electric LLC's obligation under this warranty is limited to the repair or replacement of the defective product and in no event shall Warner Electric LLC be liable for consequential, indirect, or incidental damages of any kind incurred by reason of the manufacture, sale or use of any defective product. Warner Electric LLC neither assumes nor authorizes any other person to give any other warranty or to assume any other obligation or liability on its behalf.

WITH RESPECT TO CONSUMER USE OF THE PRODUCT, ANY IMPLIED WARRANTIES WHICH THE CONSUMER MAY HAVE ARE LIMITED IN DURATION TO ONE YEAR FROM THE DATE OF ORIGINAL CONSUMER PURCHASE. WITH RESPECT TO COMMERCIAL AND INDUSTRIAL USES OF THE PRODUCT, THE FOREGOING WARRANTY IS IN LIEU OF AND EXCLUDES ALL OTHER WARRANTIES, WHETHER EXPRESSED OR IMPLIED BY OPERATION OF LAW OR OTHERWISE, INCLUDING, BUT NOT LIMITED TO, ANY IMPLIED WARRANTIES OF MERCHANTABILITY OR FITNESS.

Some states do not allow the exclusion or limitation of incidental or consequential damages, so the above limitation or exclusion may not apply to you. This warranty gives you specific legal rights and you may also have other rights which vary from state to state.

### **Changes in Dimensions and Specifications**

All dimensions and specifications shown in Warner Electric catalogs are subject to change without notice. Weights do not include weight of boxing for shipment. Certified prints will be furnished without charge on request to Warner Electric.



**Warner Electric LLC**  
449 Gardner Street • South Beloit, IL 61080  
815-389-3771 • Fax: 815-389-2582  
www.warnerelectric.com